

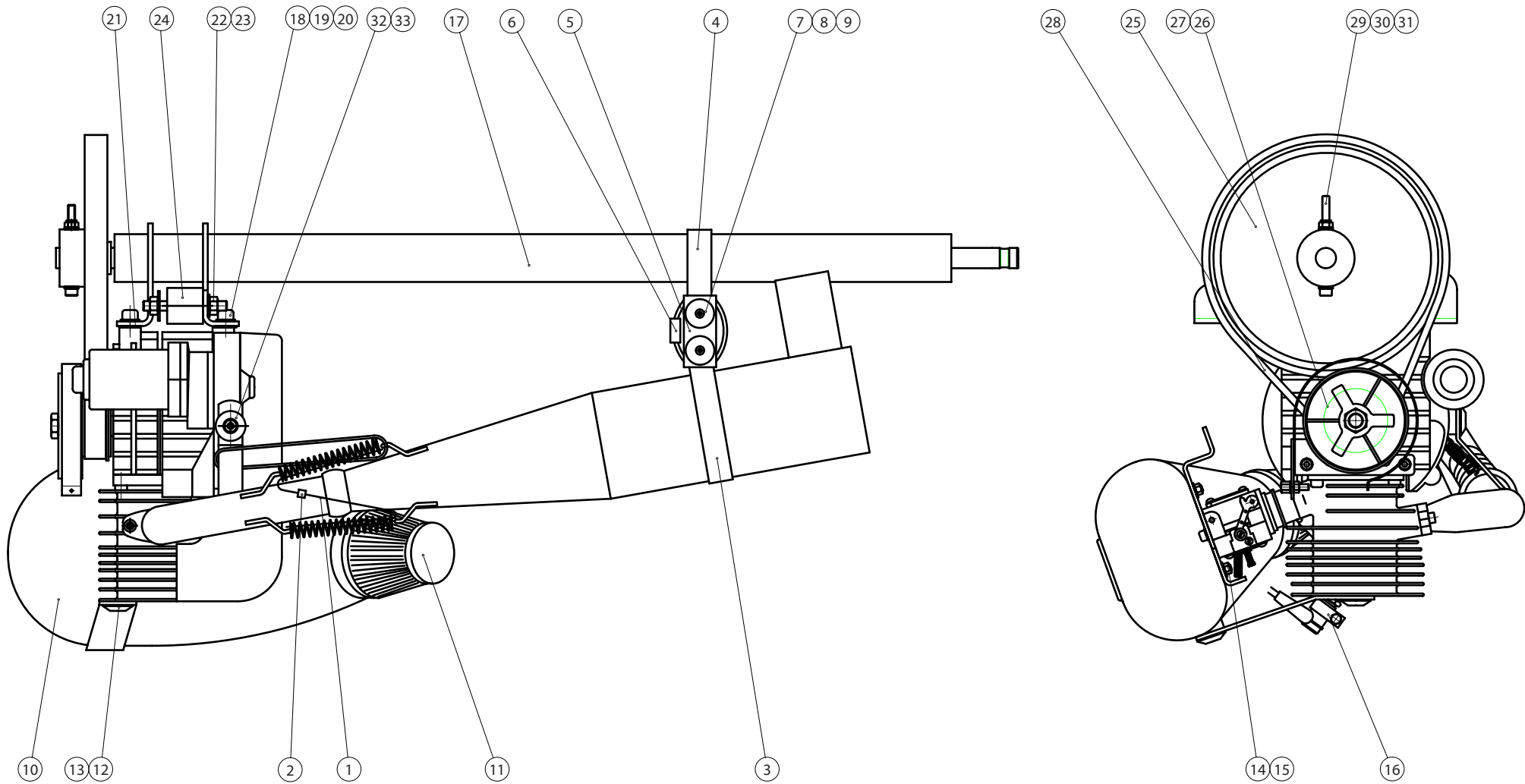


### PART LIST EXTERIOR A10

1	Harness	10-1801-00
2	Harness zipper	10-1850-00
10	Cable for engine cut out	10-6950-00
11	Cut out switch	10-6110-00
12	Holder for cut out switch	10-6111-00
20	Leg clip	10-1062-00
21	Distance for leg clip	10-1063-00
22	Screw RXS 2.9x13	
23	Leg ropes complete with eye bolts	10-1921-00
24	Foot for leg	10-1035-00
25	Leg incl. rubber cord & hook	10-1930-00
30	Frame A-10 complete welded	10-1911-00
31	Main tube right side	10-1001-01
32	Main tube left side	10-1001-02
33	Engine bracket	10-1910-00
34	Belt cover	10-1060-00
40	Propeller fixed	10-1990-01
40	Propeller foldable	10-1990-02

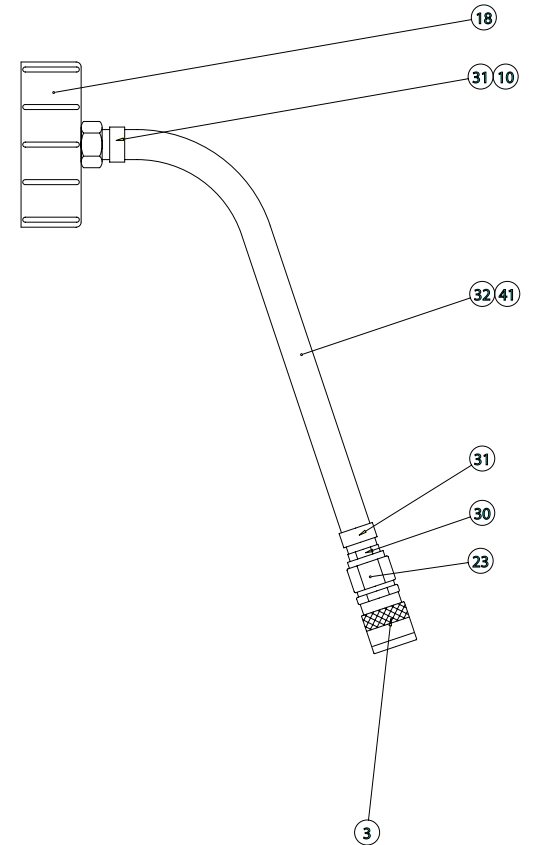
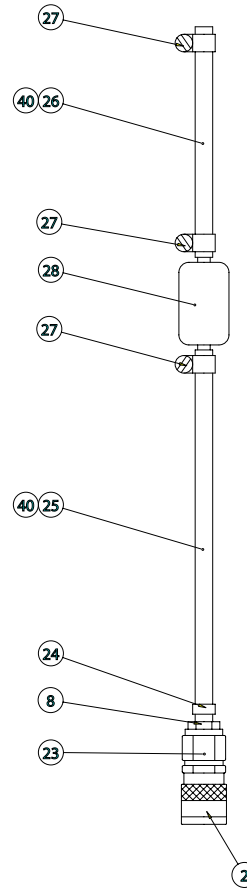
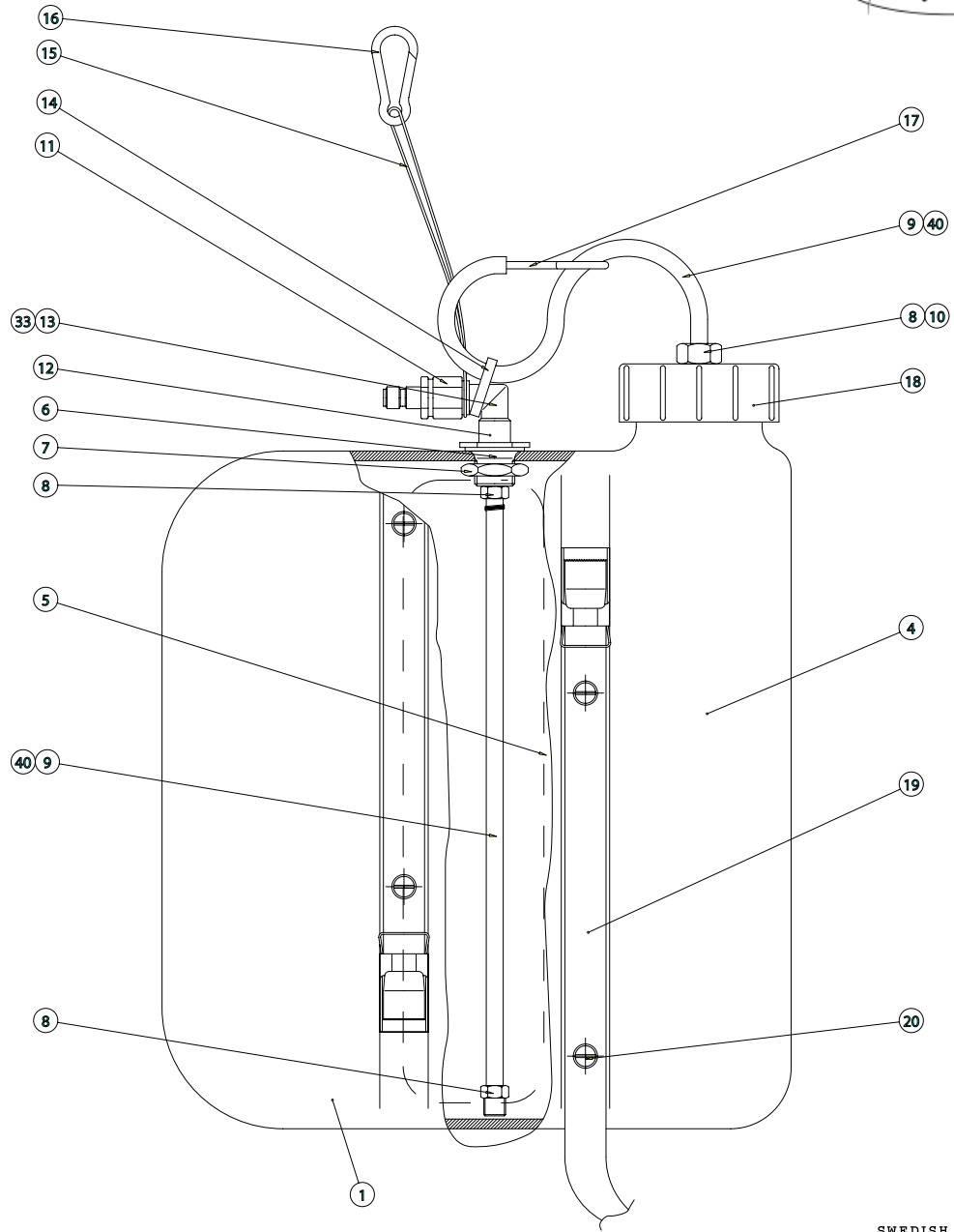
50	Rear engine mount complete pos. 51+52+53(2pcs)	10-1940-00
51	U bracket for rear engine mount	10-1041-00
52	Rubber for rear engine mount	10-1040-00
53	Lower plate for rear engine mount	10-1042-00
54	Eye bolt	10-1021-03
60	Starter rope tube	10-1112-00
61	Starter rope guide	10-1113-00
62	Bracket for starter rope wheel	10-1110-00
63	Starter rope wheel	10-1111-00
80	Diagonal strut short	10-1051-00
81	Diagonal strut long	10-1050-00
82	Rope for diagonal strut	10-1055-00
83	Shrink tube	10-1052-00
90	Ball M6	10-4082-01
91	Carabiner	10-1816-00
92	Limit lines complete set	10-1100-00



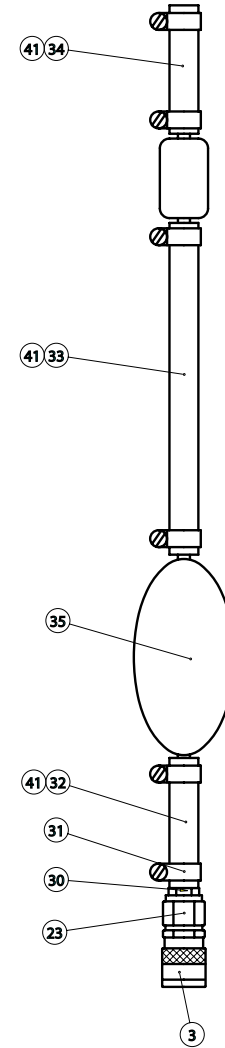
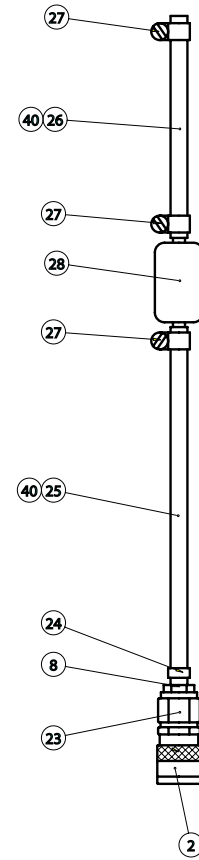
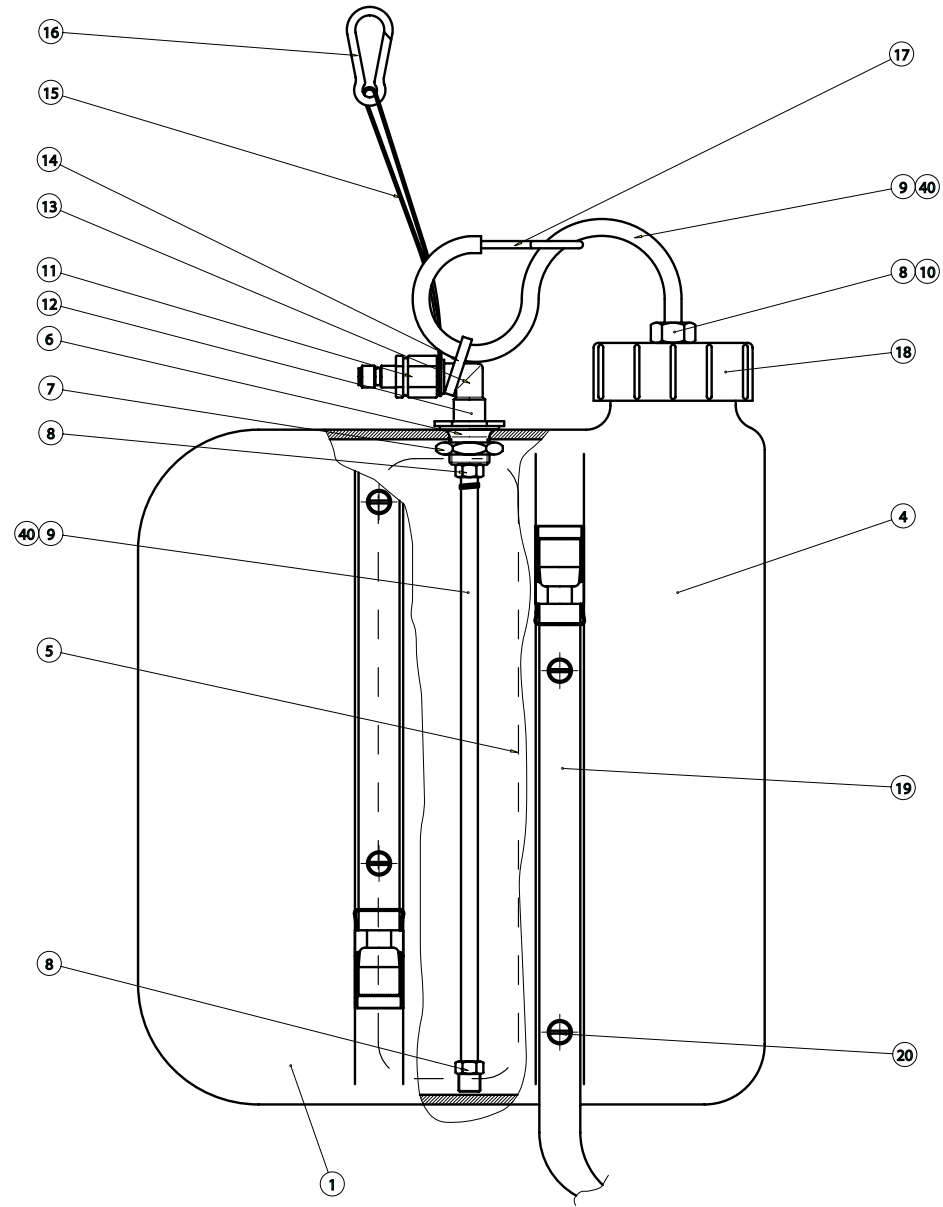






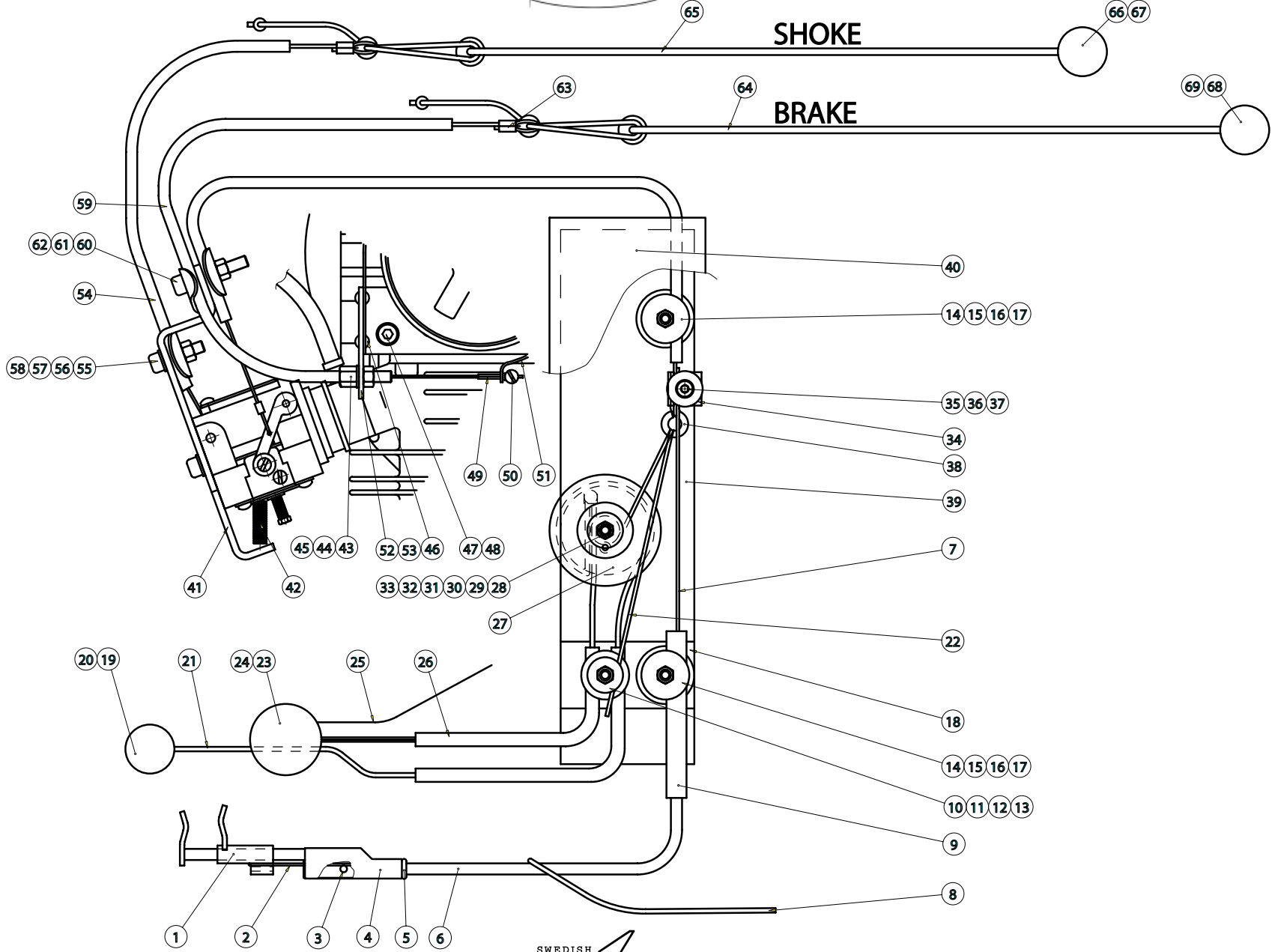






Old system with primer bulb and thicker fuel line.  
 Choose the new system without bulb and thinner fuel line for less risk to get air bubbles in carb.



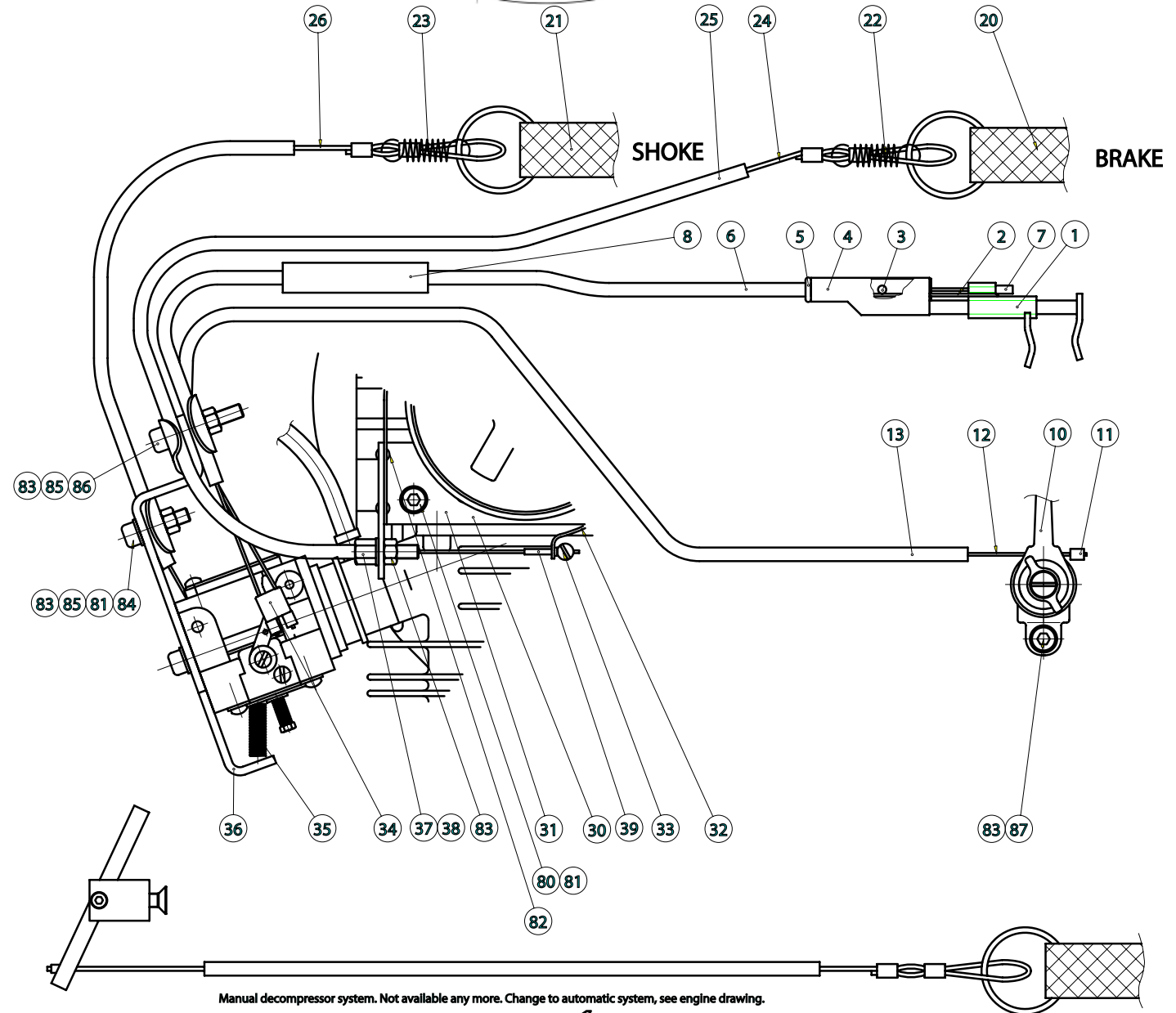




## PART LIST CONTROLS NRG

1	Mouth throttle	10-4910-00
2	Return rubber cord	10-4016-00
3	Screw ZP 3x3	
4	Rubber hat	10-4017-00
5	O-ring	10-4018-00
6	Outer casing mouth-throttle	10-4101-01
7	Wire mouth-throttle	10-4102-01
8	Return rubber cord	10-4062-00
9	Polyurethan tube	10-4063-00
10	Screw MC6S 5x25 8:8	
11	Washer special	
12	Washer NB 5x16x1	
13	Nut M5 Nylock	
14	Distance plastic	10-4064-00
15	Screw MC6S 5x35 8:8	
16	Washer special	
17	Nut M5 Nylock	
18	Non slip tape	10-4065-00
19	Ball dia.22 black	10-4080-01
20	Washer BRB 5.3x10x1	
21	Rope	10-4082-00
22	Rope throttle-wheel	10-4086-00
22	Ball dia.32 Blue	10-4081-01
22	Ball dia.32 Red	10-4081-02
22	Ball dia.32 Yellow	10-4081-03
23	Ball dia.32 White	10-4081-04
24	Washer BRB 5.3x10x1	
25	Rubber cord	10-4083-00
26	Polyamide tube	10-4084-00
27	Throttle-wheel	10-4090-00
28	Screw MC6S 5x30 8:8	
29	Washer SRKB 5x25x1.5	
30	Distance throttle-wheel	10-4091-00
31	Spring throttle-wheel	10-4085-00
32	Washer NB 5x16x1	
33	Nut M5 Nylock	
34	Wire lock	10-4092-00

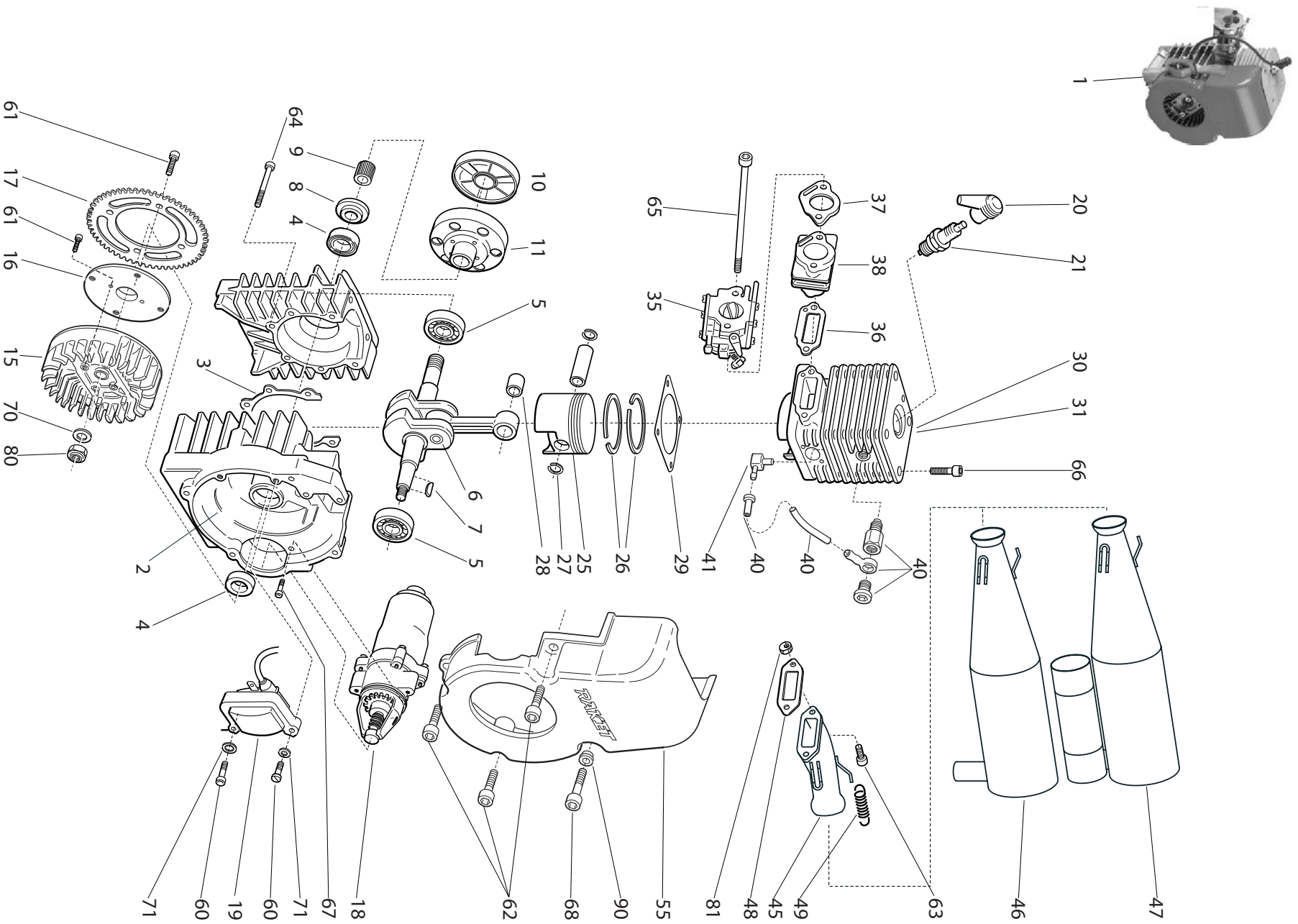
35	Screw MC6S 4x12 8:8	
36	Washer BRB 4.3x16x1	
37	Washer BRB 4.3x8x1	
38	Loop	
39	Throttle-plate	10-4093-00
40	Cover throttle-plate	10-4094-00
41	Carburettor plate incl. washer & screws for holding cables	10-4070-00
42	Return spring choke	10-4030-00
43	Outer-casing holder	10-4041-00
44	Outer-casing saver	10-4040-00
45	Nut M5 Nylock	
46	POP-rivet	
47	Screw MC6S 5x55 8:8	
48	Washer BRB 5.3x10x1	
49	Wire saving	10-4045-00
50	Wire lock	10-4046-00
51	Friction band for brake	10-4043-00
52	Bracket for brake	10-4044-00
53	Brake complete pos.46+49+51+52 no wires etc. included	10-4940-00
54	Outer casing & wire choke	10-4101-02
55	Screw MC6S 5x20 8:8	
56	Washer special	
57	Washer BRB 5.3x10x1	
58	Nut M5 Nylock	
59	Outer casing brake	10-4101-03
60	Screw MC6S 5x25 8:8	
61	Washer special	
62	Nut M5 Nylock	
63	Wire brake	10-4102-02
64	Rope brake	10-4088-01
65	Rope choke	10-4088-02
66	Ball dia.32	See pos.22
67	Washer BRB 5.3x10x1	
68	Ball dia.32	See pos.22
69	Washer BRB 5.3x10x1	



Manual decompressor system. Not available any more. Change to automatic system, see engine drawing.













## PART LIST ENGINE PULL-START

1	Engine complete engine+exhaust system+carburettor+clutch	10-5001-00
2	Crank house	
3	Crank house gasket	10-5011-00
4	Oil sealing	10-5022-00
5	Bearing	10-5021-00
6	Crank shaft incl. con-rod and lower bearing	10-5020-00
7	Woodruf key	10-5026-00
8	Distance for clutch	10-5023-00
9	Needle bearing for clutch-drum	10-5024-00
10	Clutch	10-5025-00
11	Clutch drum	10-5027-00
15	Fly wheel	10-5030-00
16	Bushing for starter hook	10-5034-00
17	Spring for starter hook	10-5035-00
18	Starter hook	10-5033-00
19	Ignition system excl. spark plug cap ( 10-5110-00 )	10-5101-00
20	Spark plug cap	10-5110-00
21	Spark plug Denso W22MP-US /NKG BPM7A	10-5100-00
25	Piston with piston rings and pin	10-5060-00
26	Piston ring 1 pcs.	10-5063-00
27	Sireclip 1 pcs.	10-5065-00
28	Needle bearing piston side	10-5066-00
29	Cylinder foot gasket	10-5067-00
30	Cylinder & piston complete with rings and piston pin	10-5060-00
31	Cylinder	10-5062-00
35	Carburettor complete	10-5070-00
36	Gasket for carb. Cylinder side	10-5071-00
37	Gasket for carb. carburettor side	10-5072-00
38	Flange for carburettor	10-5073-00
40	Decompression valve automatic complete	10-5090-02
41	Nipple	10-5092-00

45	Manifold	10-5985-00
46	Manifold old type for spiral joint, not available any more	10-5084-00
47	Muffler standard	10-5084-00
48	Muffler + extra quiet	10-5084-01
49	Muffler standard for spiral joint	10-5082-00
50	Gasket exhaust	10-5082-00
51	Spring for muffler	10-5083-00
52	Exhaust spiral	10-5081-00
55	Fly wheel cover	10-5040-01
56	Disc, bttom fly wheel cover	10-5041-00
57	Magnapull spring	10-5042-00
58	Starter string disc	10-5043-00
59	Bushing for starter string disc	10-5044-00
60	Stop for starter string	10-5047-00
61	Starter string	10-5046-00
62	Starter handle	10-5048-00
70	Screw MC6S 4x20 12:9	
71	Screw MC6S 5x20 8:8	
72	Screw MC6S 5x25 8:8	
73	Screw MC6S 5x30 12:9	
74	Screw MC6S 5x55 12:9	
75	Screw MC6S 5x100 12:9	
76	Screw MC6S 6x25 8:8	
77	Screw MF6S 6x22 8:8	
80	Washer BRB 4,2x8x1	
81	Washer BRB 6,4x10x1	
82	Washer fly wheel	10-5031-00
83	Washer alu special	
90	Nut fly wheel	10-5032-00
91	Nut Manifold	10-5086-00

